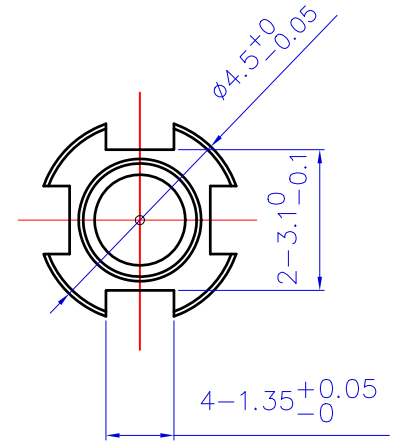
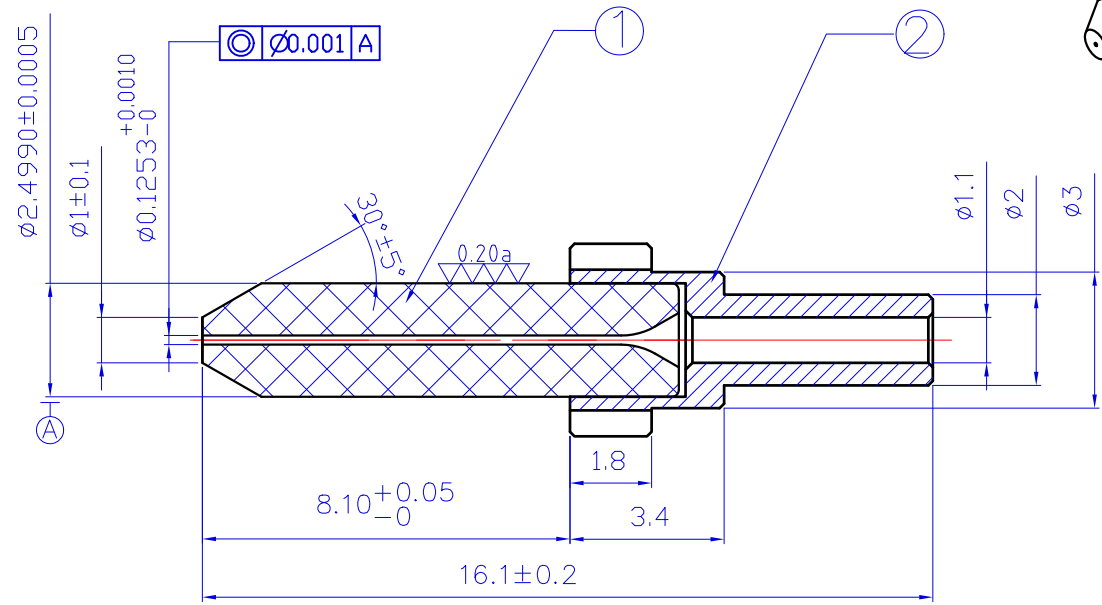
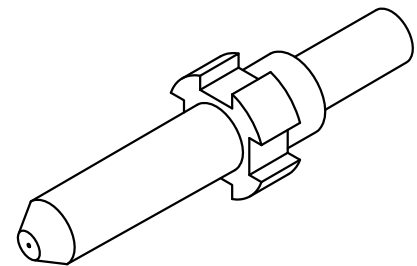


1	2		3		4		5		6		
No.	Part Name	Drawing No		Material	Colour	Qty					
1	Ferrule	FE.SCSM.A.1253-C08-C1-0-00		ZrO2	White	1					
2	Flange	FL.SC.W135-0805-CU(SU)-00		Cu,Nickel plated(SU)		1					



**NOTE:**

- 1、 REMOVE ALL BURRS AND BREAK SHARP EDGE
- 2、 NO DIRT ON SURFACE
- 3、 TOLERANCES UNLESS OTHERWISE SPECIFIED:  $\pm 0.1, \pm 5^\circ$
- 4、 PRODUCT MUST BE RoHS COMPLIANT

$\triangle$			
$\triangle$			
$\triangle$			
NO.	DATE	NOTE	SIGN

Title	SC/SM/APC/125.3/With flange			Material		Unit	mm
Dwg No.	FE.SCSM.A.1253-C08-C1-CU(SU)-00			Treatment		Scale	6:1
Drawn	Yixue.Gan	Date	May.5 2019			Ver.	2.0
Checked	Andrew.Li	Date	May.5 2019				
Approved		Date					

